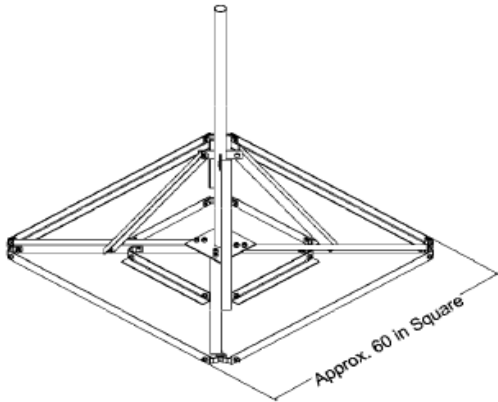
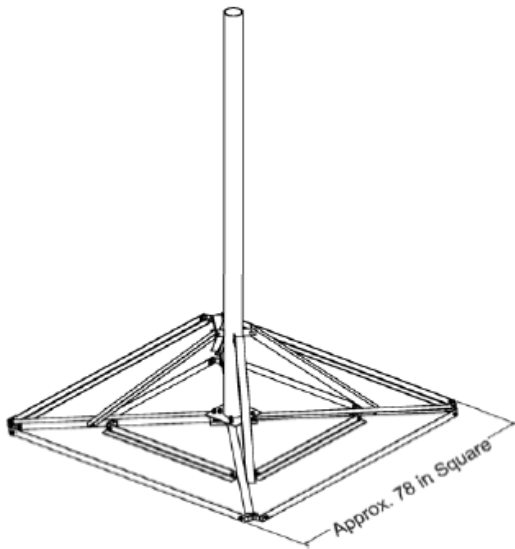


## Roof-Top Applications

### Non-Penetrating Flat Roof Mounts - Heavy Duty



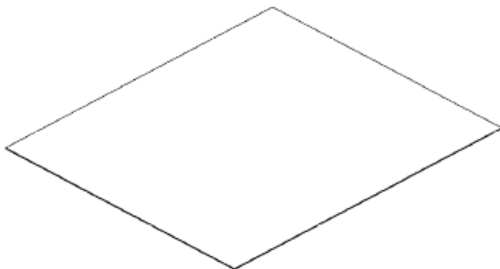
Part #	Description	Weight (Lbs)
<b>60" Square Footprint</b>		
AWS6098	JRM Non-Penetrating Roof Mount (2.375 OD Tubing, 5' Overall Mast Height)	111.0
AWS6099	JRM Non-Penetrating Roof Mount (2.375 OD Tubing, 10' Overall Mast Height)	129.0



Part #	Description	Weight (Lbs)
<b>78" Square Footprint</b>		
AWS7845	BRM Non-Penetrating Roof Mount, 3-1/2" OD x 120" Pipe Mount	200.0
AWS7846	BRM Non-Penetrating Roof Mount, 4-1/2" OD x 120" Pipe Mount	233.0

<b>Material:</b>	Hot dip galvanized mast, base and hardware	<b>Design:</b>	Designed for large dish/antenna support
<b>Order Separately:</b>	Rubber Mat	<b>Mounts to:</b>	n/a

### Rubber Mats



Part #	Description	Weight (Lbs)
AWS758	Rubber Mat, 1/8" x 36" x 42"	7.3

<b>Material:</b>	Rubber mat	<b>Design:</b>	Helps to protect roof surface
<b>Order Separately:</b>	n/a	<b>Mounts to:</b>	Roof-top bridge kits and Non-pens.