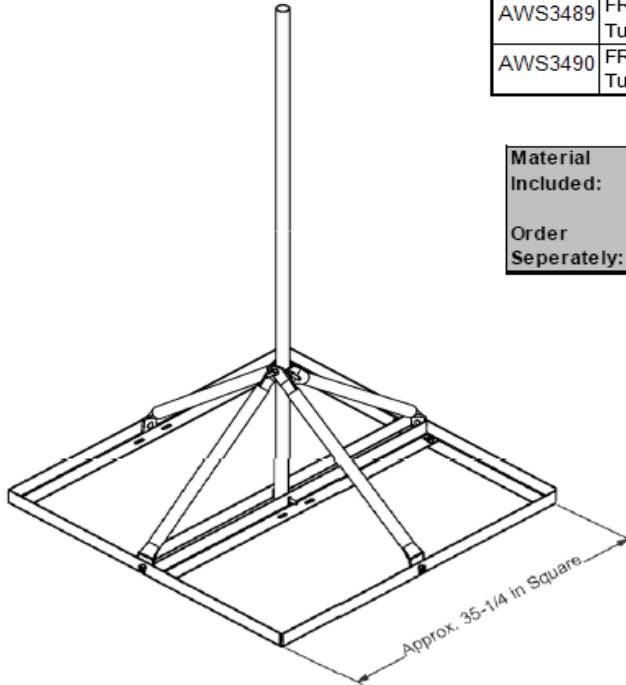


Roof-Top Applications

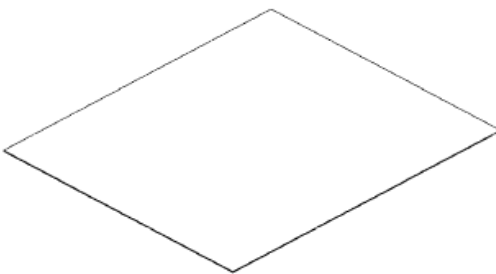
Non-Penetrating Flat Roof Mounts



Part #	Description	Weight (Lbs)
AWS3489	FRM Non-Penetrating Roof Mount (1.25" O.D. Tubing, 60" Overall Mast Height)	31.0
AWS3490	FRM Non-Penetrating Roof Mount (1.50" O.D. Tubing, 30" Overall Mast Height)	29.0

Material	Pre galvanized	Design:	Designed for
Included:	mast, base and hardware		DSS support
Order Separately:	Rubber Mat	Mounts to:	n/a

Rubber Mats



Part #	Description	Weight (Lbs)
AWS758	Rubber Mat, 1/8" x 36" x 42"	7.3

Material	Rubber mat	Design:	Helps to protect roof surface
Included:			
Order Separately:	n/a	Mounts to:	Roof-top bridge kits and Non-pens.